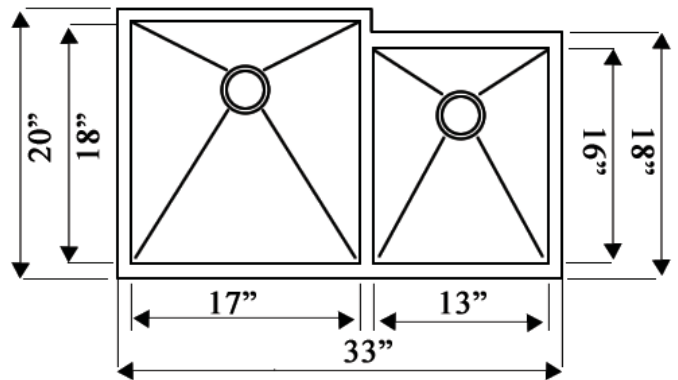


70/30 Double Bowl Handmade Kitchen Sink

Model: H016



General

Highest quality material used.
Steel Composition: Chrome-Nickel Stainless Steel,
Type: 18/10. AISI 304 Surgical Stainless Steel
Gauge: 15

Design Features

Bowl Depth: 10" & 10"
Finish: Brushed
Corners: 0° Radius
Underside: Double Thick Sound Pads

Other

Drain opening: 3 1/2"
Note: All PROHS Handmade sinks are provided with a template and clips for easy installation under any solid surface countertop.

Limited Lifetime Warranty

Sink Dimensions (Inches)



Model Number	Overall L W	Inside Left Bowl L W	Inside Right Bowl L W	Depth	Cutout In Countertop	Minimum Cabinet Size	Shipping Weight (Lbs.)
H016	33" x 20"	17" x 18"	13" x 16"	10" & 10"	See Template	35"	36